

# OCCASIONAL SEATING

## CHAIRS



# 1506SD00150 EASY CUM STUDY CHAIR

*Godrej* **interio**



*Shape of the chair and its legs resemble a easy chair.* The chairs back profile is of bent plywood and the curve gives a feeling of the chair engulfing the user giving utmost comfort.

Chair is padded with foam on the seat, sides and back; making longer sitting very comfortable.

Frame of the chair and the legs are made of Solid Rubber wood.

Available in 2 shades – Grey Fabric & Orange Fabric

Foam – PU Foam



# 1506SD00150 EASY CUM STUDY CHAIR: Shade Options

*Godrej* **interio**



# 1522SD01754 EASY CUM DINING CHAIR

*Godrej* **interio**



*Name of the chair is inspired from the shape of back of the chair that is like– an edible seed which is kidney shaped.*

chair is a multi purpose chair that can either be used as a dining chair or as an easy chair in living / bedroom.

It is strongly built by using **solid Rubber wood**. Cushion on the back & seat makes longer sitting very comfortable.

Fabric on the cushion -

Polyester Shade of

upholstery – Grey

Foam – PU Foam



# 1522SD02413 EASY CHAIR

*Godrej* **interio**



# 1522SD02413 EASY CHAIR

*Godrej* interio



- Available in 2 colours, **one in Natural back** and the other in **Black back**
- An occasional chair that can complement any 2 or 3 str sofa & king/queen beds
- The bent plywood adds to the natural aesthetics
- The design of the chair hugs the body to provide maximum comfort
- Ideally suited for rooms with less visual volume due to high legs and no arms
- Can be placed besides each other along with any coffee table as a conversation nook
- Natural colour that blends with natural neutral finish of the home



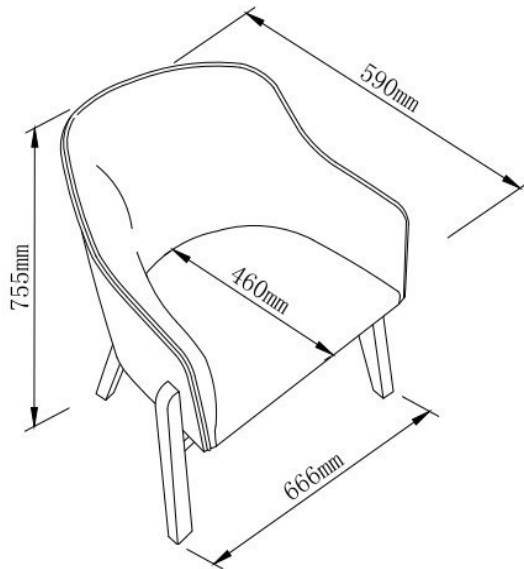
# PRODUCT DIMENSION

## EASY CHAIRS

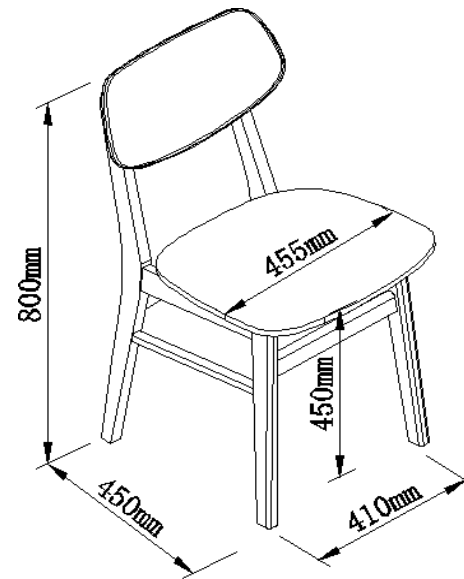


# 1506SD00150 & 1522SD01754 EASY CHAIR

*Godrej* **interio**



T 1506SD00150 Easy Chair



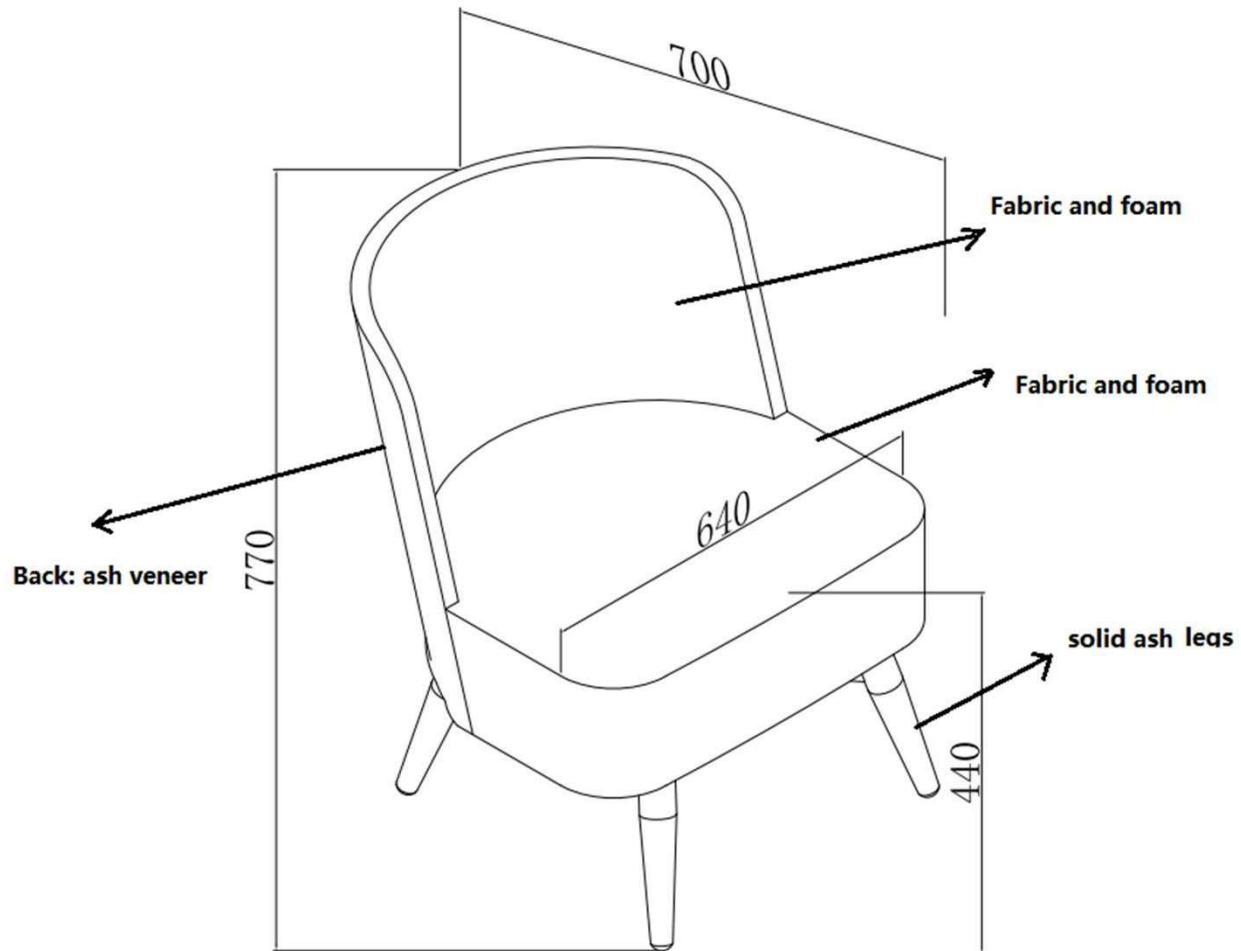
1522SD01754 Easy cum Dining Chair





# 1522SD02413 EASY CHAIR

*Godrej* **interio**



# Contact Details



## **UNIVERSAL MARKETING**

**"Universal" House , Near Municipal Shopping Center ,  
In Harinagar / Upkar Society, Odhavpura ,  
off. Gotri Road , Vadodara 390 007.**

**Ph. No.- 0265-2395295/0265 3504432/02265 2311020**

**M.No :- 9428402401/9428402410-**

**Email:info@universal-marketing.com**

**Email:showroom@universal-marketing.com**

**VISIT OUR SITE:www.universal-marketing.com**

